

# WALKIE STRADDLE STACKER

## MODELS RSS 22/30/40

*Raymond*® Walkie Straddle Models RSS 22/30/40. The faster the better. Looking to improve cycle times while decreasing your cost of operation? Look to the *Raymond* RSS Stackers. Superb engineering and easy-to-operate ergonomic controls ensure superior cycle times. Drive-in access to pallets saves valuable cycle time. The straddle baseleg design helps keep pallets and product squared away. The versatile RSS is designed for all types of operations, from retail to warehousing to manufacturing. These vehicles handle heavier loads swiftly and efficiently. With modular components and robust construction, these stackers stand up to years of use. Less maintenance and reduced downtime lead to a lower cost of operation.

### **RSS22/30/40 Standard Equipment:**

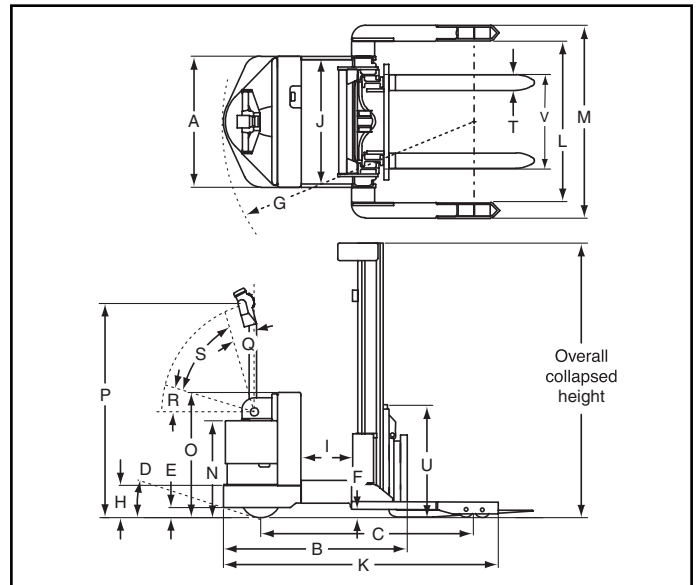
- › 998kg, 1360kg and 1814kg maximum capacity
- › Two and three stage masts with fork heights up to 4800mm
- › Load sensing torsion bar suspension for easier steering
- › Separately excited traction system for smooth acceleration
- › Thumb wheel control
- › Key switch
- › Horn
- › Handle mounted electric lift/lower for easy access
- › Chassis mounted manual lift/lower for precise control
- › Hour meter



# WALKIE STRADDLE MODELS 22/30/40

## MAST SPECIFICATIONS

Model	Lift Height (mm)	Overall Collapsed Height (mm)	Freelift (mm)	Capacity (kg)
<b>RSS22</b> 2-stage Limited Free Lift	2642	1803	305	998
	3251	2108	305	998
	3861	2413	305	998
<b>RSS22</b> 3-stage Full Free Lift	3810	1803	1346	998
<b>RSS30</b> 2-stage Limited Free Lift	2642	1803	305	1360
	3251	2108	305	1360
	3861	2413	305	1360
<b>RSS30</b> 3-stage Full Free Lift	3810	1803	1346	1360
	4572	2108	1651	1360
	4801	2210	1752	1360
<b>RSS40</b> 2-stage Limited Free Lift	2540	1803	152	1814
	3150	2108	152	1814
	3810	2413	152	1814
<b>RSS40</b> 3-stage Full Free Lift	3810	1803	1346	1814
	4572	2108	1651	1814
	4801	2210	1752	1814



## PERFORMANCE SPECIFICATIONS

		RSS22	RSS30	RSS40
Truck Weight, less battery	kg	1134	1134	1134
Battery Connector		SB-175 red		
Battery Lead Position/Length	mm	B/508		
Battery Voltage	V	24		
Minimum Battery Weight	kg	150	431	431
Travel Speed empty/loaded	kph	5.3/4.7	5.3/4.7	5.1/4.2
Lift Speed empty/loaded	m/min	15/9.7	15/9.7	15/8.2
Lowering Speed empty/loaded	m/min	12.8/18.3		

## DIMENSION CHART

		RSS22	RSS30	RSS40
Capacity	kg	998	1360	1814
A Tractor Width	mm	866		
B Tractor Head Length – 2-stage/3-stage	mm	975/1107	1135/1217	1135/1217
C Wheelbase	mm	1298	1407	1407
D Grade Clearance	%	10		
E Underclearance: Tractor	mm	53		
F Underclearance: Baselegs	mm	51		
G Turning Radius	mm	1544	1654	1654
H Battery Floor Height w/optional rollers	mm	241		
I Battery Compartment Width	mm	229	338	338
J Battery Compartment Length	mm	820		
K Overall Length – 2-stage/3-stage	mm	1702	1811	1811
L Baseleg Opening (inside)	mm	813 - 1270		
M Baseleg (outside)	mm	1016 - 1473		
N Tractor Height at Handle	mm	641		
O Tractor Height at Battery	mm	819		
P Handle Height Retracted	mm	1412		
Q Top Vertical Braking Arc	deg.	12.5		
R Bottom Braking Arc	deg.	10.5		
S Handle Operating Arc	deg.	67		
T Forks	mm	38 x 101	38 x 101	44 x 101
U Load Backrest (height)	mm	1219		
V Fork Adjustment	mm	216 - 762		
Drive Tire	mm	267 x 127 polyurethane		
Load Wheels	mm	101 x 73 tandem polyurethane		

## AISLE WIDTH REQUIRED FOR RIGHT ANGLE STACKING

Load Width (mm)	RSS22++	RSS22++	RSS30+	RSS30+	RSS40*	RSS40*
	Load Length (mm)					
	1067	1219	1067	1219	1067	1219
762	1880	2108	1981	2210	2057	2261
813	1880	2083	1981	2184	2057	2261
914	1854	2083	1956	2184	2032	2235
1016	1829	2057	1930	2159	2007	2235
1067	1803	2057	1905	2159	2007	2210
1219	1753	2032	1854	2134	1956	2184

Aisle width requirements based on 152mm clearance between pallets. Add 152mm - 304mm for ease of operation. Add 64mm when equipped with shiftdown. \*Add 114mm when equipped with 3-stage mast. + Add 152mm when equipped with 3-stage mast. ++ Add 228mm when equipped with 3-stage mast.

Due to continuous product improvement, specifications are subject to change without notice or obligation. Some systems and features shown are optional at extra cost. *Raymond* and *Above*. *And beyond*. are U.S. trademarks of The Raymond Corporation.

©2012 Toyota Material Handling Australia

8 Secombe Place, Moorebank NSW 2170

Freecall: 1800 425 438 [www.toyotamaterialhandling.com.au](http://www.toyotamaterialhandling.com.au)

SIFB-0089 0812VP-2.5

