

WALKIE COUNTERBALANCED STACKER

MODELS RCS 20/30/40

Raymond® Walkie Counterbalanced Models RCS 20/30/40. Versatile, efficient, reliable. Whether you are working in trailers, boxcars or racks, you can count on the *Raymond* RCS for all of your dock-to-stock needs. Easy-to-operate ergonomic controls and programmable speeds allow your operators to move more pallets per hour. Transistorized controls and large load wheels help you navigate dock plates with ease, providing a smoother ride with more efficient operation. Heavy duty construction and on-board diagnostics make the *Raymond* RCS easy to maintain and economical to own.

RCS20/30/40 Standard Equipment:

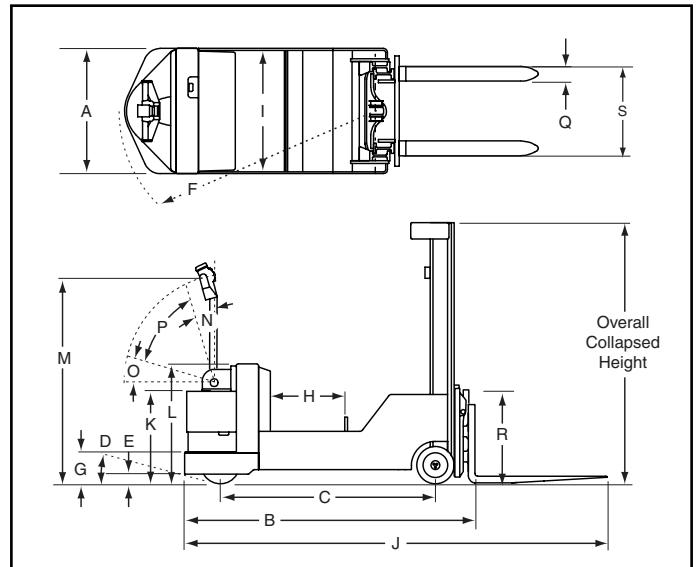
- › 907kg, 1360kg and 1814kg maximum capacity
- › Two and three stage masts with fork heights up to 4800mm
- › Load sensing torsion bar suspension for easier steering
- › Separately excited traction system for smooth acceleration
- › Thumb wheel control
- › Key switch
- › Horn
- › Handle mounted electric lift/lower for easy access
- › Chassis mounted manual lift/lower for precise control
- › Tilt mast
- › 1219mm high load backrest
- › Hour meter



WALKIE COUNTERBALANCED MODELS 20/30/40

MAST SPECIFICATIONS

Model	Lift Height (mm)	Overall Collapsed Height (mm)	Free Lift (mm)	Capacity (kg)
RCS20 2-stage Limited Free Lift	2642 3251 3861	1803 2108 2413	305 305 305	907 907 907
RCS20 2-stage Full Free Lift	2642 3251 3861	1803 2108 2413	1320 1626 1930	907 907 907
RCS20 3-stage Full Free Lift	3810 4572 4801	1803 2108 2210	1346 1651 1752	907 680 544
RCS30 2-stage Limited Free Lift	2642 3251 3861	1803 2108 2413	305 305 305	1360 1360 1360
RCS30 2-stage Full Free Lift	2642 3251 3861	1803 2108 2413	1320 1626 1930	1360 1360 1360
RCS30 3-stage Full Free Lift	3810 4572 4801	1803 2108 2210	1346 1651 1752	1360 953 862
RCS40 2-stage Limited Free Lift	2540 3150 3810	1803 2108 2413	152 152 152	1814 1814 1814
RSS40 3-stage Full Free Lift	3810 4572 4801	1803 2108 2210	1346 1651 1752	1814 1451 1360



PERFORMANCE SPECIFICATIONS

		RCS20	RCS30	RCS40
Truck Weight, less battery	kg	1633	2087	2631
Battery Connector		SB-175 red		
Battery Lead Position/Length	mm	B/508		
Battery Voltage	V	24		
Minimum Battery Weight	kg	431		
Travel Speed empty/loaded	kph	5.1/4.7	5.5/4.8	5.3/4.5
Lift Speed empty/loaded	m/min	15/11.3	15/9.7	15/8.2
Lowering Speed empty/loaded	m/min	13.4/18.3	12.8/18.2	12.8/18.2

AISLE WIDTH REQUIRED FOR RIGHT ANGLE STACKING

Load Width (mm)	RCS20	RCS20	RCS30	RCS30	RCS40	RCS40
	Load Length (mm)					
	1067	1219	1067	1219	1067	1219
762	2667	2819	2794	2946	2972	3124
914	2667	2819	2794	2946	2946	3124
1016	2642	2819	2794	2946	2946	3099
1067	2642	2794	2769	2946	2946	3099
1219	2642	2794	2769	2921	2946	3099

Aisle width requirements based on 152mm clearance between pallets. Add 152mm - 304mm for ease of operation. Add 63mm when equipped with sideshift.

DIMENSION CHART

		RCS20	RCS30	RCS40
Capacity	kg	907	1360	1814
Tilt (Backward/Forward)	deg.	8/3		
A Tractor Width	mm	866		
B Tractor Head Length	mm	1646	1781	1946
C Wheelbase	mm	1194	1328	1488
D Grade Clearance	%	10		
E Underclearance: Tractor	mm	53		
F Turning Radius	mm	1440	1575	1735
G Battery Floor Height w/optional rollers*	mm	241		
H Battery Compartment Width	mm	338		
I Battery Compartment Length	mm	820		
J Overall Length ++	mm	2713	2847	3012
K Tractor Height at Handle	mm	641		
L Tractor Height at Battery	mm	819		
M Handle Height Retracted	mm	1412		
N Top Vertical Braking Arc	deg.	12.5		
O Bottom Braking Arc	deg.	10.5		
P Handle Operating Arc	deg.	67		
Q Forks	mm	38 x 101	38 x 101	44 x 101
R Load Backrest (height)	mm	1219		
S Fork Adjustment	mm	216 - 762		
Drive Tire	mm	267 x 127 rubber		
Load Wheels	mm	254 x 101 polyurethane		

* RCS 10 battery compartment is not available with rollers; battery must be placed in or removed from compartment using an overhead lift or crane.
++ With 1067mm forks.

Due to continuous product improvement, specifications are subject to change without notice or obligation. Some systems and features shown are optional at extra cost. *Raymond* and *Above*. *And beyond*. are U.S. trademarks of The Raymond Corporation.

©2012 Toyota Material Handling Australia

8 Secombe Place, Moorebank NSW 2170

Freecall: 1800 425 438 www.toyotamaterialhandling.com.au

SIFB-0088 0812VP-2.5

