

Autopilot lowlifter truck 2.5 ton

BT levio
AUTOPILOT
LAE250



Autopilot lowlifter truck

Specifications					LAE250	
Identification	1.1	Manufacturer				Toyota
	1.2	Model				LAE250
	1.3	Drive				Electric
	1.4	Operator type				Automatic/Pedestrian
	1.5	Load capacity/rated load	Q	kg		2500
	1.6	Load centre	c	mm		600
	1.8	Load distance, lowered/raised forks	x	mm		776/726
	1.9	Wheelbase, lowered/raised forks	y	mm		1536/1486
	Weight	2.1	Service weight without battery		kg	
2.2		Axle load, with load, drive/castor/fork wheel		kg		674/469/2415
2.3		Axle load, without load, drive/castor/fork wheel		kg		374/391/296
Wheels	3.1	Drive/castor/fork wheel				Friction/Vulkollan®/Vulkollan®
	3.2	Wheel size, front		mm		Ø 230x70
	3.3	Wheel size, rear		mm		Ø 85x75
	3.4	Additional wheels (dimensions)		mm		Ø 125x50
	3.5	Wheels, number front/rear (x = driven wheels)				1x+2/4
	3.6	Track width, front	b ₁₀	mm		585
	3.7	Track width, rear	b ₁₁	mm		367
Dimensions	4.4	Lift	h ₃	mm		120
		Lift height	h ₂₃	mm		207,5
	4.9	Height of tiller in drive position, min./max.	h ₁₄	mm		1150/1485
		Total height with scanner	h ₂₀	mm		2381/2969
		Laser scanner beamer height	h ₂₁	mm		2362/2950
	4.15	Height, fork lowered	h ₁₃	mm		87,5
	4.19	Overall length	l ₁	mm		See battery and fork length dependent table.
	4.20	Length to face of forks	l ₂	mm		See battery and fork length dependent table.
	4.21	Overall width	b ₁	mm		930
	4.22	Fork dimensions	s/e/l	mm		70/180/1200
	4.25	Width over forks	b ₅	mm		520/550/675
	4.32	Ground clearance, centre of wheelbase	m ₂	mm		17
	4.34	Aisle width for pallets 800x1200 lengthways	A _{st}	mm		See battery and fork length dependent table.
4.35	Turning radius	W _a	mm		See battery and fork length dependent table.	
Performance data	5.1	Travel speed, drive wheel/fork direction, manual mode with platform		km/h		6,0/6,0
		Travel speed, drive wheel/fork direction, manual mode		km/h		2,0/4,0
	5.1.1	Travel speed, drive wheel/fork direction, automatic mode		km/h		8,0/1,1
	5.2	Lift speed, with/without load		m/s		0,05/0,08
	5.3	Lowering speed, with/without load		m/s		0,09/0,09
	5.8	Max. gradeability, with/without load ¹⁾		%		6/10
5.10	Service brake				Electromagnetic	
Electric motor	6.1	Drive motor rating S2 60 min		kW		1.8
	6.2	Lift motor rating at S3 10%		kW		3
	6.4	Battery voltage/nominal capacity K _s		V/Ah		24/500
	6.5	Battery weight		kg		368
Other	8.1	Type of drive control				Variable AC
	8.4	Sound level at the driver's ear acc to EN12 053		dB(A)		<70
		Safety of laser products				Class 1 (EC 60825-1)
	Height from floor to upside battery rollers		mm			140

n) = New value / text since previous version of the data sheet

1) Measured according to company standard.

All data are based on table configuration. Other configurations may give other values.

Truck performance and dimensions are nominal and subject to tolerances.

Toyota Material Handling Manufacturing Sweden AB products and specifications are subject to change without notice.

Battery and forklift dependent dimensions

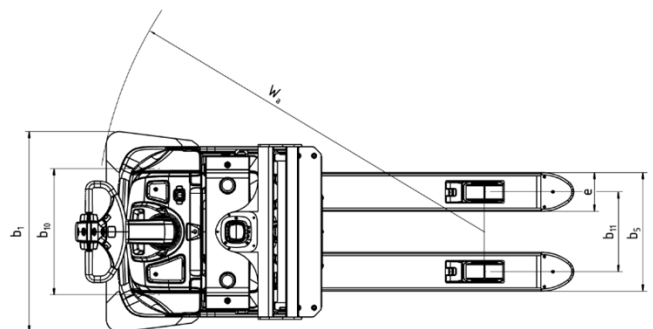
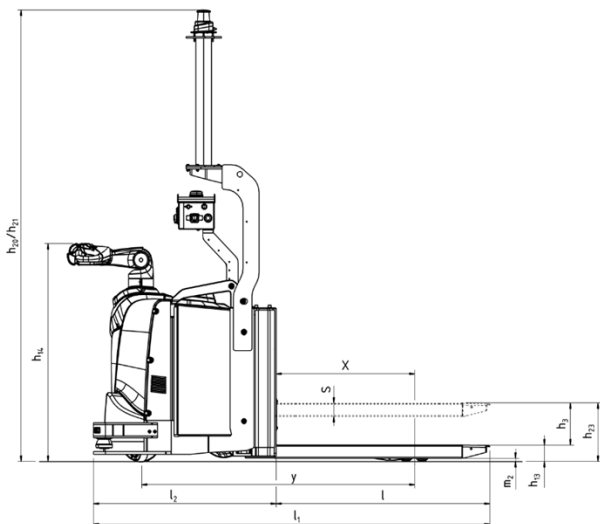
Dimensions			Battery compartment	Small	Large
1.8	Load distance, lowered / raised forks	x			
	FL 1200		mm	776/726	776/726
	FL 1600		mm	1051/1001	1051/1001
	FL 2400		mm	1686/1636	1686/1636
1.9	Wheelbase, lowered / raised forks	y			
	FL 1200		mm	1439/1389	1536/1486
	FL 1600		mm	1714/1664	1811/1761
	FL 2400		mm	2349/2299	2446/2396
4.19	Overall length ⁴⁾	l_1			
	FL 1200		mm	2130	2227
	FL 1600		mm	2530	2627
	FL 2400		mm	3330	3427
4.20	Length to face of forks	l_2	mm	930	1027
4.33	Aisle width for load 800x1200 short side handling. Manual mode	A_{st}			
	FL 1200		mm	2544	2639
	FL 1600		mm	2903	2998
	FL 2400		mm	3667	3763
4.35	Turning radius, lowered / raised forks	W_a			
	FL 1200		mm	1755/1707	1850/1801
	FL 1600		mm	2023/1974	2118/2069
	FL 2400		mm	2648/2599	2744/2694
6.5	Battery weight, min.-max.		kg	195-270	345-403

4) Mechanical fork bumper will extend forks 91mm (41mm is suspension movement)

Aisle width Auto mode

LAE250	A_{st} Rotate on point. PPS muted *)				
	Short side handling	Load width	mm	800	800
	Load length	mm	1200	1600	2400
Battery comp.	PPS in fork direction				
Large	Yes/No	mm	2660	3030	3800
Small	Yes/No	mm	2566	2935	3705

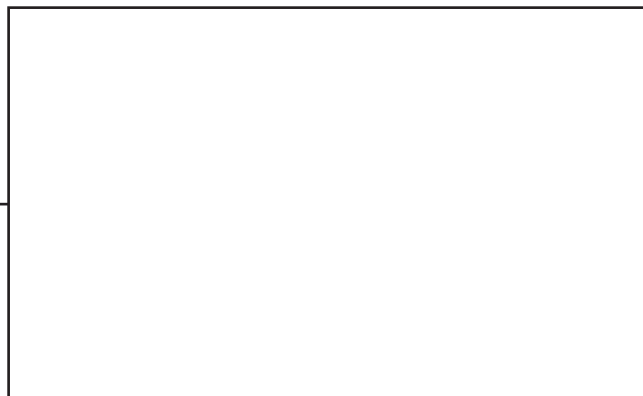
*) Add 41mm with mechanical fork bumper.



Truck features:

- Automatic
 - loading and unloading
 - horizontal transport
 - horizontal deep stacking
- Manual handling
- Laser precision navigation
- Personal safety protection drive direction
- Personal safety protection along sides
- Personal safety protection fork direction (optional)
- Obstacle detection, top (optional)
- Obstacle detection, front (optional)
- Mechanical fork bumper (optional)
- Auto charging Lithium Ion battery (optional)
- Load detection & fork tip sensors
- Information display
- Electronic regenerative braking system
- Sideway battery change

Other features are available on request.



TP-Technical Publications, Sweden — 746906-040, version 12, 2019-03-12

TOYOTA

MATERIAL HANDLING