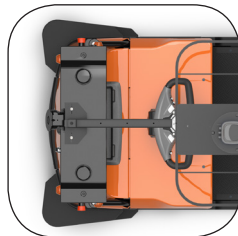


# Autopilot order picking truck 1.2 ton



**BT optio**  
*AUTOPILOT*  
OAE120CB



# Order picking truck

Truck specifications					OAE120CB Simplex	OAE120CB Duplex Tele
Identification	1.1	Manufacturer			Toyota	
	1.2	Model			OAE120CB	
	1.3	Drive			Electric	
	1.4	Operator type			Stand on/Autom.	
	1.5	Load capacity/rated load	Q	kg	1200	
	1.6	Load centre	c	mm	500	
	1.8	Load distance, back of fork to wheel centre	x	mm	93	
	1.9	Wheelbase	y	mm	1448	
	Weight	2.1	Service weight without battery		kg	-
2.2		Axle load, with load, drive/support arm wheels		kg	-	459/2904
2.3		Axle load, without load, drive/support arm wheels		kg	-	1061/1100
Wheels	3.1	Drive/support arm wheels			Vulkollan	
	3.2	Wheel size, front		mm	Ø250x100	
	3.3	Wheel size, rear		mm	Ø140x80	
Dimensions	4.2	Height, mast lowered	$h_1$	mm	2124	2563
	4.3	Free lift	$h_2$	mm	1700	110
	4.4	Lift movement	$h_3$	mm	1642	4096
		Lift height	$h_{23}$	mm	1700	4150
	4.5	Height, mast extended	$h_4$	mm	2267	4721
	4.15	Height of lowered fork.	$h_{13}$	mm	50	
		Height of lowered fork with safety bumper.	$h_{13}$	mm	80	
	4.20	Length to face of forks	$l_2$	mm	1762	
	4.21	Overall width	$b_1/b_2$	mm	946/869	
		Height with scanner	$h_{20}$	mm	2381/2969	
		Height scanner eye	$h_{21}$	mm	2362/2950	
	4.22	Fork dimensions	s/e	mm	40/100	
		Fork dimension with safety bumper	s/e	mm	40-70/120-162	
		Fork length std	l	mm	1000/1150/1200	
		Fork length with safety bumper	l	mm	1091/1241/1291	
	4.25	Width over forks	$b_5$	mm	384-570	
		Width over forks with safety bumper	$b_5$	mm	446-570	
	4.31	Ground clearance, below mast	$m_1$	mm	56	
	4.32	Ground clearance, centre of wheelbase	$m_2$	mm	72	
	4.35	Turning radius	$W_a$	mm	1718	
4.44	Clear width driver compartment entrance	$l_9$	mm	450		
4.8	Stand height	$h_7$	mm	143		
Performance data	5.1	Travel speed, drive wheel direction with/without load manual mode <sup>1)</sup>		km/h	7,0/12,0	
	5.1.1	Travel speed, drive wheel direction with/without load automatic mode <sup>2)</sup>			5,75/8,0	
		Travel speed, fork direction with/without safety scanner in fork direction.		km/h	4,5/1,1	
	5.8	Max. gradeability, with/without load		%	6/10	
5.10	Service brake			Electromagnetic		
Electric motor	6.1	Drive motor rating S2 60 min		kW	2,8	
	6.2	Lift motor rating S3 6%		kW	2,2	
	6.4	Battery voltage, nominal capacity $K_s$		V/Ah	24/465, 620, 252	
	6.5	Battery weight, min./max.		kg	338/565	
	6.6	Energy consumption acc to VDI 2198 cycle <sup>3)</sup>		kWh/h		
	Other	8.1	Type of drive control			Variable AC
8.4		Sound level at the driver's ear according to EN 12 053		dB(A)	62	
		Safety of laser products			Class 1 (EC 60825-1)	

n) = New value / text since previous version of the data sheet.

1) Travel speed in fork direction: 6,0/10,5 km/h

2) Travel speed 8km/h with max 1000kg load.

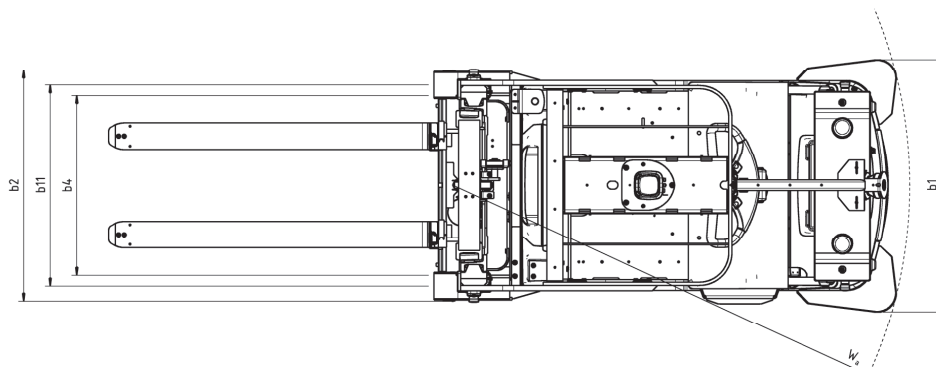
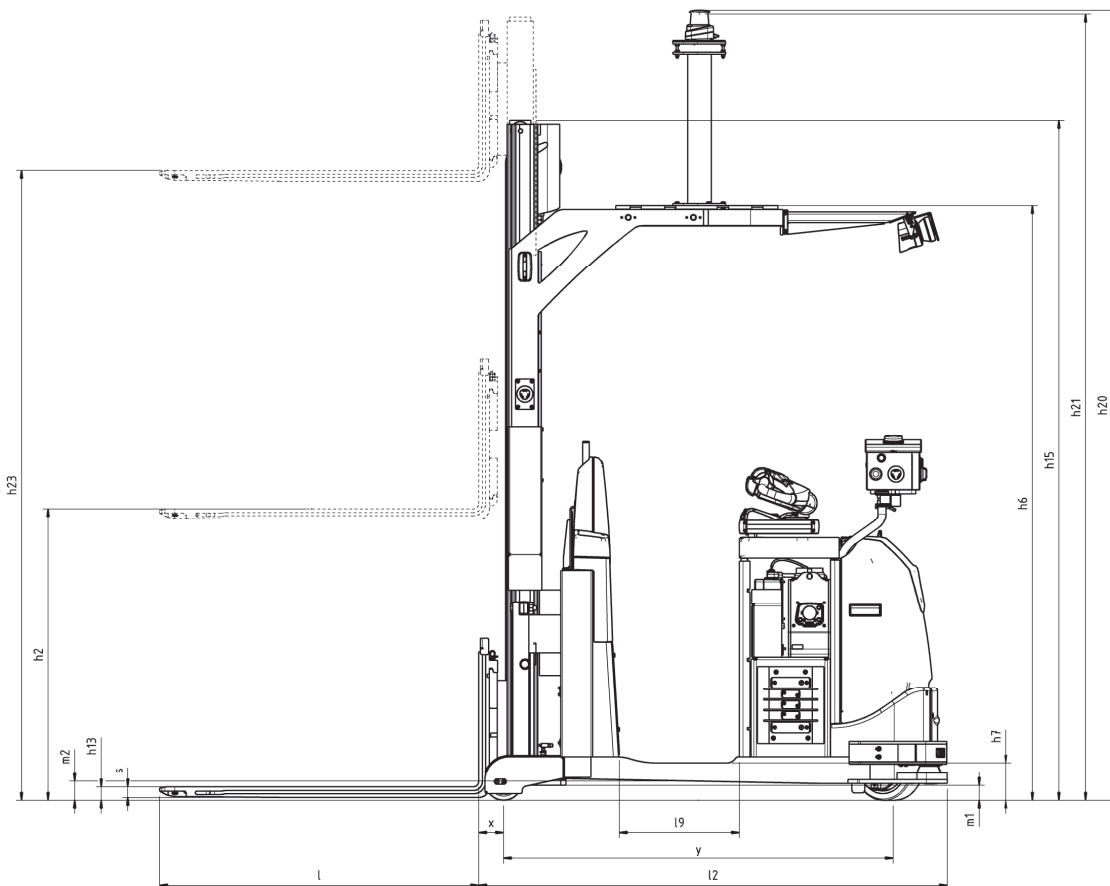
All data are based on table configuration. Other configurations may give other values.

Truck performance and dimensions are nominal and subject to tolerances.

Toyota Material Handling Manufacturing Sweden AB products and specifications are subject to change without notice.

## Aisle width Auto mode

OAE120CB Large batt. compartment	A <sub>st</sub> Rotate on point. PPS muted			
	Load width	mm	800	800
	Load length	mm	1000	1200
Short side handling	<b>PPS in fork direction</b>			
<b>Simplex</b>	Yes/No	mm	3132	3323
<b>DX Tele</b>	Yes/No	mm	3132	3323



Forks with safety bumper

---

## Truck features:

- Automatic — loading and unloading
  - horizontal transport
  - horizontal deep stacking
- Manual handling
- Laser precision navigation
- Personal safety protection drive direction
- Personal safety protection along sides
- Personal safety protection fork direction (optional)
- Obstacle detection, top (optional)
- Obstacle detection, front (optional)
- Mechanical fork bumper (optional)
- Auto charging Lithium Ion battery (optional)
- Load detection & fork tip sensors
- Information display
- Electronic regenerative braking system
- Sideway battery change

*Other features are available on request.*



TP-Technical Publications, Sweden — 749988-040, version 3, 2019-03-12

**TOYOTA**

MATERIAL HANDLING