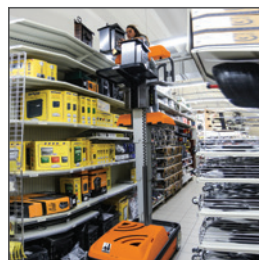
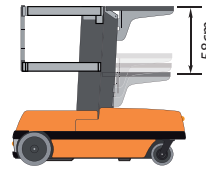
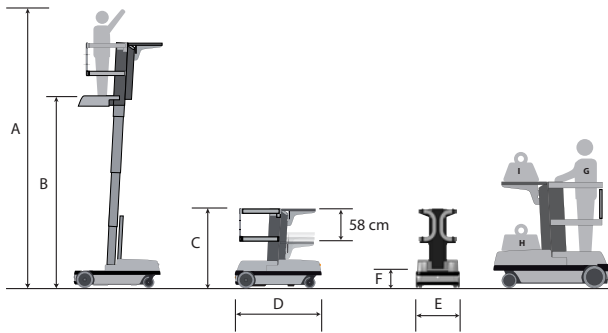


With a maximum working height of 5.3m, the Bravi Sprint is perfect for retail stores where space is at a premium.

Fully drivable, Bravi Sprint speeds up the process reaching highly positioned goods and merchandise. It also increases safety by eliminating the need to manually handle goods up and down ladders.

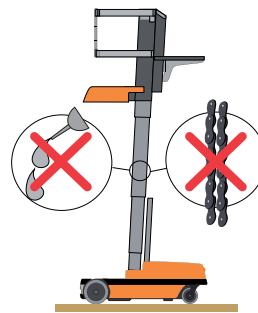




Material tray is electrically operated by a button in the upper control box



Loading platform at maximum height corresponds to the column. It is very easy to place even heavy packages using the column as the setting base and letting it slide into the material tray.



The revolutionary raising system already created by BRAVI PLATFORMS for its mobile platform models is a radical change for this business segment. The column in special extruded aluminium alloy is completely without any need of maintenance.

- No more chains to be inspected every year
- No more grease on the mast
- No maintenance required

MEASUREMENTS		
Max. working Height	A	5350 mm
Max Platform Height (Upright fully extended)	B	3350 mm
Height Stowed	C	1441 mm
Length Stowed	D	1500 mm
Width	E	808 mm
Platform Entrance Height	F	356 mm
Occupants		1
Unit Gross Weight		660 kg
Drive Speed stowed		6 km/h
Drive Speed raised		1.3 km/h
Max Gradeability		35%
Raise/Lower Speed		20/19 sec
Turning Radius Outside		1440mm
Driving System		Two-Handed Proportional
Tire		Solid Rubber Non Marking
Tilt Sensor Cut Out		Standard
Turning Radius Inside		Zero
CAPACITIES		
Operator's bay capacity	G	130 kg
Transport hood tray capacity	H	113 kg
Materials tray capacity	I	90 kg
POWER		
Batteries		N 04, 6V 245 Ah 20-Hr Rate
Power		24 V c.c.
Load network power		110/220 V c.a.
Autonomy (On one charge)		30 km



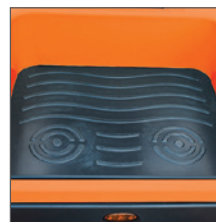
Futuristic canopies are ergonomically designed. Completely sealed to enhance protection against shocks and damages caused by debris falling from above.



Acceleration of forward/backward movement is proportional and positioned near the basket raising and lowering button, to enable these movements even during forward movement.



All the functions are operable without having to move the hand from the accelerator, for maximum operator comfort. Ignition key on board the platform, easy to be reached.



Safety position with double sensor pedal and double hand sensor allow activation of the functions. These safety devices serve to guarantee the stable position of the operator, with both hands on the controls before these become activated.

More than 30Km on one battery charge!