

Autopilot Order picking truck 1.2.ton

BT optio
AUTOPILOT

OAE120CB



Order picking truck

Truck specifications					OSE120CB
Identification	1.1	Manufacturer			Toyota
	1.2	Model			OSE120CB
	1.3	Drive			Electric
	1.4	Operator type			Stand on
	1.5	Load capacity/rated load	Q	kg	1200
	1.6	Load centre	c	mm	500
	1.8	Load distance, back of fork to wheel centre	x	mm	73
	1.9	Wheelbase	y	mm	1448
Weight	2.1	Service weight without battery		kg	1599 ¹⁾
	2.2	Axle load, with load, drive/support arm wheels		kg	615/2725
	2.3	Axle load, without load, drive/support arm wheels		kg	1100/1038
Wheels	3.1	Drive/support arm wheels			Vulkollan
	3.2	Wheel size, front		mm	Ø250x100
	3.3	Wheel size, rear		mm	Ø175x75
Dimensions	4.2	Height, mast lowered	h_1	mm	1841
	4.4	Lift movement	h_3	mm	2650
		Lift height	h_{23}	mm	2700
	4.5	Height, mast extended	h_4	mm	3280
	4.7	Height of overhead guard	h_6	mm	2196
	4.8	Stand height	h_7	mm	130
	4.15	Height, fork lowered	h_{13}	mm	50
	4.19	Overall length	l_1	mm	2853
	4.20	Length to face of forks	l_2	mm	1703
	4.21	Overall width	b_1/b_2	mm	790/861
	4.22	Fork dimensions	s/e/l	mm	40/100/1150
	4.25	Width over forks	b_5	mm	250-570
	4.31	Ground clearance, below mast	m_1	mm	49
	4.32	Ground clearance, centre of wheelbase	m_2	mm	72
4.34	Aisle width for pallets 800 x 1200 lengthways	A_{31}	mm	3170	
4.35	Turning radius	W_2	mm	1636	
4.44	Clear width driver compartment entrance	l_{24}	mm	450	
Performance data	5.1	Travel speed, with/without load		km/h	7,0/12,0
	5.2	Lift speed, with/without load		m/s	0,12/0,27
	5.3	Lowering speed, with/without load		m/s	0,33/0,36
	5.8	Max. gradeability, with/without load ²⁾		%	9/13
	5.10	Service brake			Electromagnetic
Electric motor	6.1	Drive motor rating S2 60 min		kW	2,8
	6.2	Lift motor rating S3 6%		kW	2,2
	6.4	Battery voltage, nominal capacity K_3		V/Ah	24/465-620
	6.5	Battery weight, min./max.		kg	338/501
	6.6	Energy consumption acc to VDI cycle ³⁾		kWh/h	
	Other	8.1	Type of drive control		
8.4		Sound level at the driver's ear according to EN 12 053		dB(A)	62

1) With small battery, add 125 kg counterweight.

2) Measured according to company standard.

3) Contact your supplier for information.

All data are based on table configuration. Other configurations may give other values.

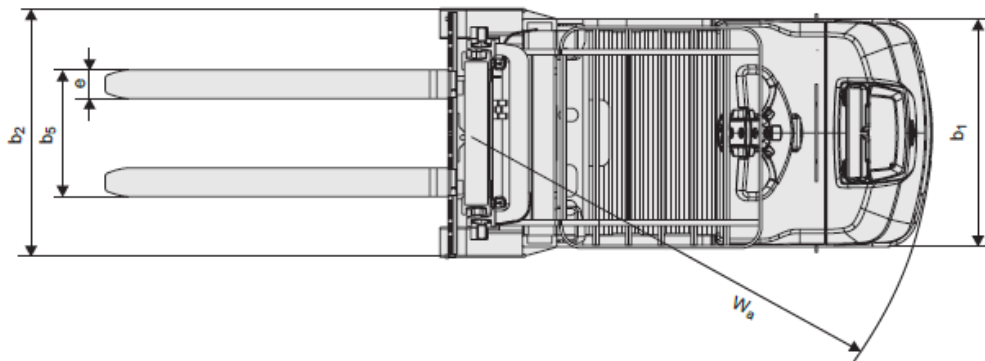
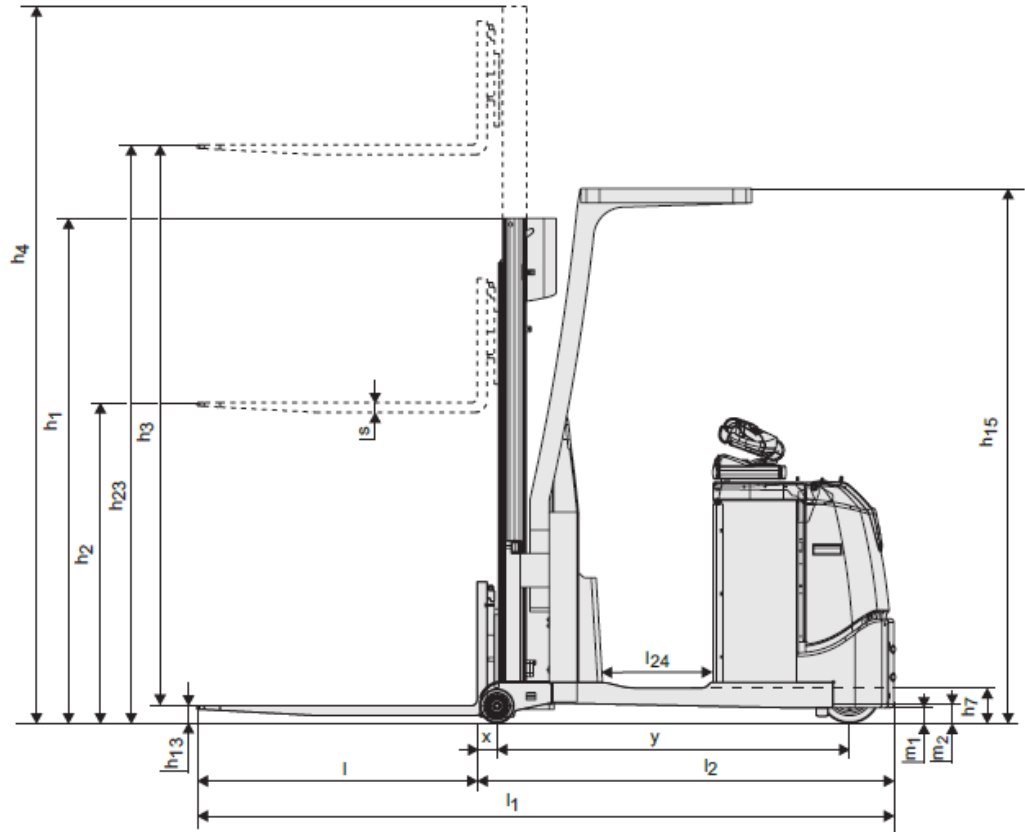
Truck performance and dimensions are nominal and subject to tolerances.

BT products and specifications are subject to change without notice.

Mast dimensions

BT optio

OSE120CB			Simplex			Duplex Tele					Duplex HiLo				
h_{23}	Lift height ($h_{13}+h_3$)	mm	1400	1700	1800	2700	2900	3300	3700	4150	2700	2900	3300	3700	4150
h_3	Lift	mm	1350	1650	1750	2650	2850	3250	3650	4100	2650	2850	3250	3650	4100
h_1	Height, mast lowered	mm	1820	2120	2220	1841	1941	2141	2341	2475	1836	1936	2136	2336	2561
h_2	Free lift	mm	1400	1700	1800	110	110	110	110	110	1396	1496	1696	1896	2121
h_4	Height, mast extended	mm	1980	2280	2380	3280	3480	3880	4280	4720	3280	3480	3880	4280	4720



Truck features:

- Automatic
 - loading and unloading
 - horizontal transport
 - horizontal deep stacking
 - orderpicking with Pick by Voice (optional)
- Manual handling
- Laser precision navigation
- Personal safety protection drive direction
- Personal safety protection fork direction (optional)
- Side sensors
- Obstacle detection system (optional)
- Mechanical safety bumper on forks (optional)
- Lithium Ion battery (optional)
- Load detection & fork tip sensors
- BT Powerdrive System
- Information display
- Electronic regenerative braking system
- Sideway battery change

Other features are available on request.