

Autopilot Towing Truck 3.0-5.0 ton



BT movit
AUTOPILOT

TAE300

TAE500



Towing truck

| Truck specifications | | | | | TSE300 |
|----------------------|-----------------------------------------|--------------------------------------------------------|-----------|-------|-------------------------|
| Identification | 1.1 | Manufacturer | | | Toyota |
| | 1.2 | Model | | | TSE300 |
| | 1.3 | Drive | | | Electric |
| | 1.4 | Operator type | | | Stand on |
| | 1.5 | Load capacity/rated load | Q | kg | 3000 |
| | 1.7 | Rated drawbar pull | F | N | 1320 |
| | 1.9 | Wheelbase | y | mm | 1319 |
| Weight | 2.1 | Service weight without battery | | kg | 1206 ¹⁾ |
| | 2.3 | Axle load, without load, drive/support arm wheels | | kg | 1043/734 |
| Wheels | 3.1 | Drive/support arm wheels | | | Vulkollan |
| | 3.2 | Wheel size, front | | mm | Ø 250x100 |
| | 3.3 | Wheel size, rear | | mm | Ø 150x75 |
| Dimensions | 4.2.1 | Overall height | h_{15} | mm | 1284 |
| | 4.8 | Stand height | h_7 | mm | 130 |
| | 4.12 | Coupling height towing pin towing ball | h_{10} | mm | 188/283/378/473 |
| | | | h_{10} | mm | 298/393/488/583 |
| | 4.19 | Overall length | l_1 | mm | 1571 |
| | 4.21 | Overall width | b_1/b_2 | mm | 790/799 |
| | 4.26 | Distance between support arms | b_4 | mm | 613 |
| | 4.32 | Ground clearance, centre of wheelbase | m_1/m_2 | mm | 63/71 |
| | 4.35 | Turning radius | W_a | mm | 1508 |
| 4.44 | Clear width driver compartment entrance | l_{24} | mm | 450 | |
| Performance data | 5.1 | Travel speed, with/without load | | km/h | 9,0/12,0 |
| | 5.7 | Gradeability, with/without load | | % | 6/13 |
| | 5.10 | Service brake | | | 1 stage electromagnetic |
| Electric motor | 6.1 | Drive motor rating S2 60 min | | kW | 2,8 |
| | 6.4 | Battery voltage, nominal capacity K_5 | | V/Ah | 24/465-620 |
| | 6.5 | Battery weight, min./max. | | kg | 338/501 |
| | 6.6 | Energy consumption acc to VDI cycle ²⁾ | | kWh/h | |
| Other | 8.1 | Type of drive control | | | BT Powerdrive |
| | 8.4 | Sound level at the driver's ear according to EN 12 053 | | | 66 |

1) With small battery, add 125 kg counterweight

2) Contact your supplier for information.

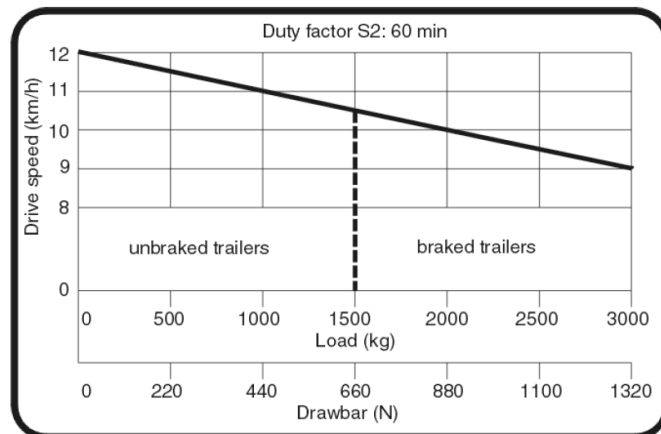
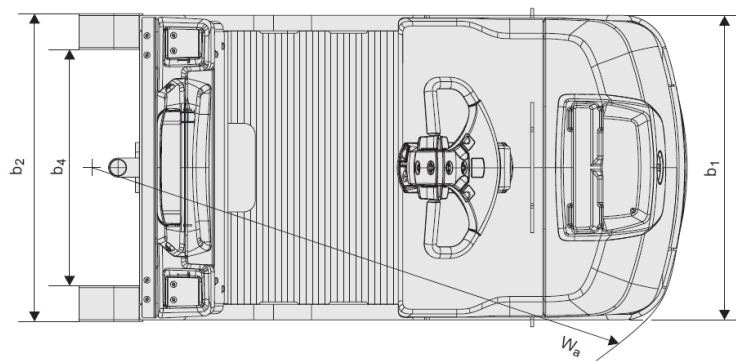
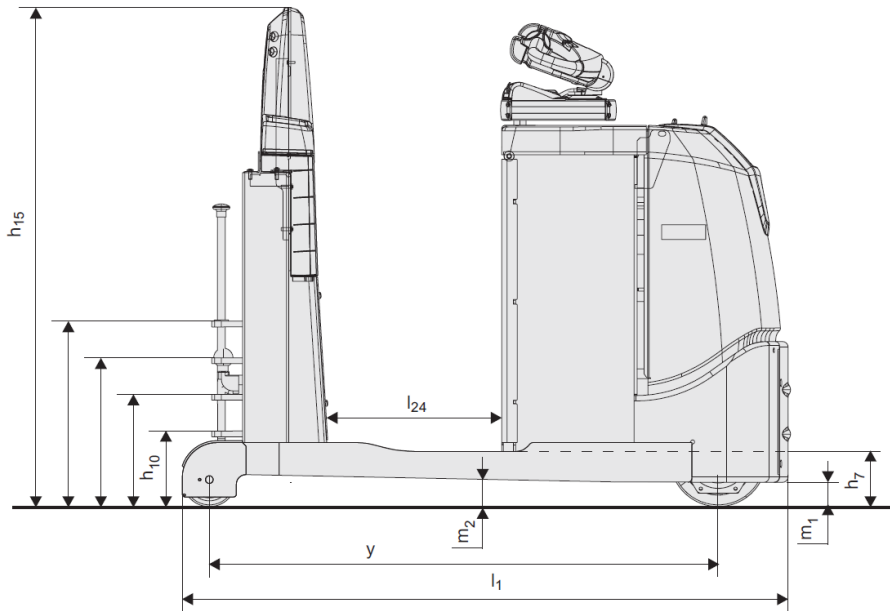
All data are based on table configuration. Other configurations may give other values.

Truck performance and dimensions are nominal and subject to tolerances.

Specifications are subject to change without notice.

Dimensional drawings

BT movit



Truck features:

- Automatic
 - loading and unloading
 - horizontal transport
 - horizontal deep stacking
 - orderpicking with Pick by Voice (optional)
- Manual handling
- Laser precision navigation
- Personal safety protection drive direction
- Personal safety protection fork direction (optional)
- Side sensors
- Obstacle detection system (optional)
- Mechanical safety bumper on forks (optional)
- Lithium Ion battery (optional)
- Load detection & fork tip sensors
- BT Powerdrive System
- Information display
- Electronic regenerative braking system
- Sideway battery change

Other features are available on request.