

Autopilot stacker truck 1.6 ton

BT staxio
AUTOPILOT
SAE160



Autopilot stacker truck

Specifications					SAE160
Identification	1.1	Manufacturer			Toyota
	1.2	Model			SAE160
	1.3	Drive			Electric
	1.4	Operator type			Pedestrian
	1.5	Load capacity/rated load	Q	kg	1600
	1.6	Load centre	c	mm	600
	1.8	Load distance, centre of support arm wheel to face of forks	x	mm	667/989
	1.9	Wheelbase	y	mm	1452/1774
	Weight	2.1	Service weight		kg
2.2		Axle load, with load, drive/ castor /support arm/wheel		kg	732/278/2022
2.3		Axle load, without load, drive/ castor /support arm/wheel		kg	498/461/479
Wheels	3.1	Drive/support arm wheel			Vulkollan ®/ Polyurethane/ Vulkollan ®
	3.2	Wheel size, front		mm	Ø 230x70
	3.3	Wheel size, rear		mm	Ø 85x95
	3.4	Additional wheels (dimensions)		mm	Ø 125x50
	3.5	Wheels, number front/rear (x=driven wheels)			1x+2/2
	3.6	Track width, front	b ₁₀	mm	585
	3.7	Track width, rear	b ₁₁	mm	339/390
Dimensions	4.2	Height, mast lowered	h ₁	mm	1736
	4.4	Lift	h ₃	mm	2260
		Lift height	h ₂₃	mm	2350
	4.5	Height, mast extended	h ₄	mm	3002
	4.9	Height of tiller in drive position, min./max.	h ₁₄	mm	1150/1485
		Height with scanner	h ₂₀	mm	2394/2982
		Height scanner eye	h ₂₁	mm	2364/2952
	4.15	Height, fork lowered	h ₁₃	mm	90
	4.19	Overall length	l ₁	mm	2348/2748
	4.20	Length to face of forks	l ₂	mm	1149
	4.21	Overall width	b ₁	mm	895
	4.22	Fork dimensions	s/e/l	mm	70/180/1200
	4.25	Width over forks	b ₅	mm	520/570
	4.26	Distance between support arms	b ₄	mm	212/226
	4.31	Ground clearance, with load, below mast	m ₁	mm	17
4.32	Ground clearance, centre of wheelbase	m ₂	mm	24,5	
4.35	Turning radius	W _a	mm	1816/2138	
Performance data	5.1	Travel speed, with/without load			
		Manual mode		km/h	4,0/4,0
		Automatic mode		km/h	6,0/6,0
	5.2	Lift speed, with/without load		m/s	0,17/ 0,34
	5.3	Lowering speed, with/without load		m/s	0,46/0,41
5.8	Max. gradeability, with/without load ¹⁾		%	6/10	
5.10	Service brake			Electromagnetic	
Electric motor	6.1	Drive motor rating S2 60 min		kW	1.8
	6.2	Lift motor rating at S3 10%		kW	3
	6.4	Battery voltage/nominal capacity K ₅		V/Ah	24/500
	6.5	Battery weight		kg	368
	Others	8.1	Type of drive control		
8.4		Sound level at the driver's ear according to EN 12 053		dB (A)	<70

1) Measured according to company standard.

All data are based on table configuration. Other configurations may give other values.

Truck performance and dimensions are nominal and subject to tolerances.

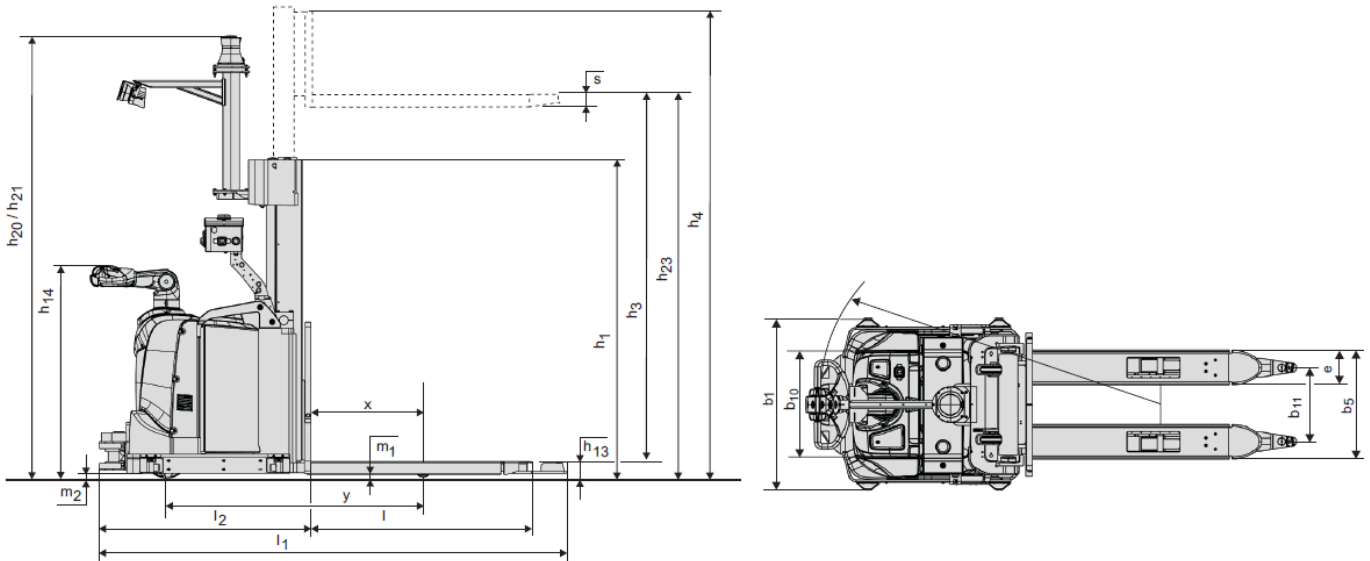
Specifications are subject to change without notice.

Battery dependent dimensions

Dimensions, mm		Battery compartment		SAE160
				Large
1.9	Wheelbase, with/without mechanical bumper			
	Fork length 1200 mm	y	mm	1394/1452
	Fork length 1600 mm	y	mm	1794/1774
4.19	Overall length, with/without mechanical bumper			
	Fork length 1200 mm	l_1	mm	2536/2348
	Fork length 1600 mm	l_1	mm	2936/2748
4.20	Length to face of forks	l_2	mm	1149
4.34	Aisle width for pallets			
	Fork length 1200 mm, pallets 800 x 1200 lengthways	A_{st}	mm	2682
	Fork length 1600 mm, pallets 800 x 1600 lengthways	A_{st}	mm	3068
4.35	Turning radius, with/without mechanical bumper			
	Fork length 1200 mm	W_a	mm	1758/1816
	Fork length 1600 mm	W_a	mm	2158/2138
6.4	Battery voltage, nominal capacity K5		V/Ah	24/500
6.5	Battery weight, min.-max.		kg	345-403

Mast dimensions

Mast, mm			Duplex Tele
h_{23}	Lift height ($h_{13} + h_3$)	mm	2350
h_3	Lift	mm	2260
h_1	Height, mast lowered	mm	1736
h_4	Height, mast extended	mm	3002



Truck features:

- Automatic
 - loading and unloading
 - horizontal transport
 - horizontal deep stacking
 - orderpicking with Pick by Voice (optional)
- Manual handling
- Laser precision navigation
- Personal safety protection drive direction
- Personal safety protection fork direction (optional)
- Side sensors
- Obstacle detection system (optional)
- Mechanical safety bumper on forks (optional)
- Lithium Ion battery (optional)
- Load detection & fork tip sensors
- BT Powerdrive System
- Information display
- Electronic regenerative braking system
- Sideway battery change

Other features are available on request.