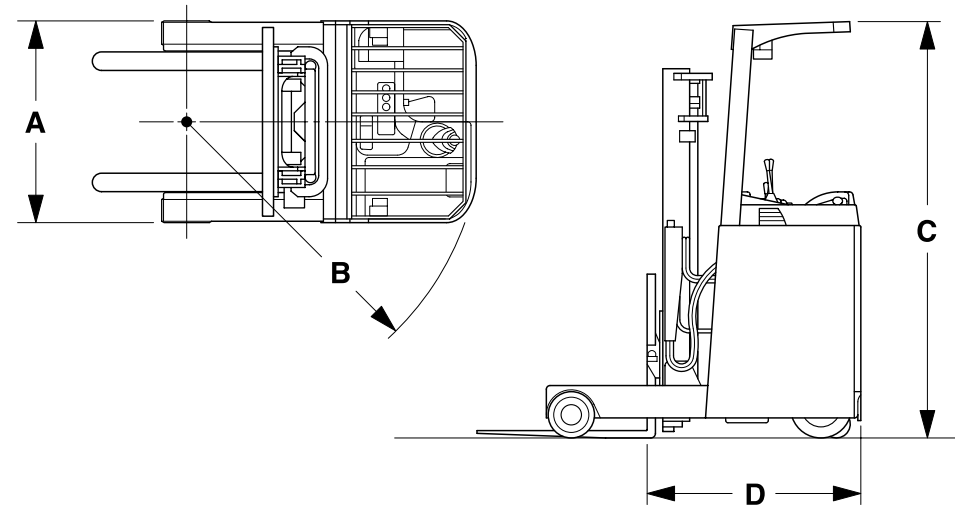


MAIN SPECIFICATIONS

Model		7FBR10	7FBR13	7FBR15	7FBR18	7FBR20	7FBR25	7FBR30	7FBRS20	7FBRS25
Operator Position		Stand-up	Stand-up	Stand-up	Stand-up	Stand-up	Stand-up	Stand-up	Stand-up	Stand-up
Load Capacity	kg	1,000	1,250	1,500	1,800	2,000	2,500	3,000	2,000	2,500
Load Center	mm	500	500	500	500	500	500	500	500	500
Overall Width	A mm	1,090	1,090	1,090	1,090	1,190	1,190	1,240	1,190	1,190
Turning Radius (Outside)	B mm	1,320	1,470	1,560	1,710	1,750	1,950	2,000	1,750	1,950
Overhead Guard Height	C mm	2,250	2,250	2,250	2,250	2,330	2,330	2,330	2,330	2,330
Length to Fork Face	D mm	1,050	1,050	1,155	1,155	1,250	1,270	1,320	1,250	1,270

BATTERY AND MOTOR SPECIFICATIONS

Model			7FBR10.13	7FBR15.18	7FBR20.25	7FBR30	7FBRS20	7FBRS25
Voltage/Capacity (5-hour ratings)	STD	V/AH	48/201	48/280	48/320	48/435	48/320	48/390
	High	V/AH	48/225	48/370	48/435	—	48/435	48/435
Electric Motors	Drive	kW	4.9	4.9	5.2	5.2	5.2	5.2
	Load Handling	kW	6.5	8.0	11.0	11.0	11.0	11.0
	Power Steering	kW	0.26	0.26	0.35	0.35	0.35	0.35



The data in this brochure is determined based on our standard testing condition. The performance may vary depending on the actual specification and condition of the vehicle as well as the condition of the operating area.
Availability and specifications depend on region and are subject to change without notice.
Due to photography and printing, color of the actual vehicle may vary from this brochure.

Printed on recycled paper.



TOYOTA Material Handling Company
A Division of TOYOTA INDUSTRIES CORPORATION

CAT.7FBR10-30(E)0706/©/Printed in Japan/No.711010E0/2,000

7FBR

ELECTRIC REACH TRUCK

1.0 to 3.0 ton
SERIES



Traction & **B**rake **C**ontrol provides

A Totally New Concept in Reach Trucks



The 7FBR utilizes Toyota's innovative
Traction & **B**rake **C**ontrol
to meet today's demands for performance
and operating ease while offering
an even higher level of reliability.
It stands ready to take on the tasks
at tough worksites.



Traction & **B**rake **C**ontrol provides

Totally Improved Operability

The 7FBR offers operators exactly what they want : superior comfort and optimal control. Comfort helps fight operator fatigue while the responsive controls boost operating efficiency.

The result is more productivity from much less effort. The 7FBR is equipped with the following features to help boost both productivity and comfort.



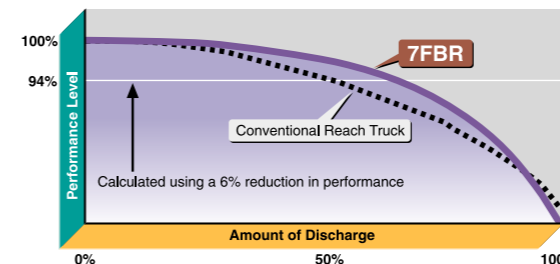
Customize Performance to Load Handling Conditions with Power Select Function



The operator can select from different travel and load-handling modes to match reach truck performance to the operating conditions. The reach truck can now provide the best performance for the job while using less of the charge in the battery.

AC Power Control Extends "Just-Charged" Performance with Power Keep Function

The Power Keep Function boosts performance when the battery charge is low to extend the efficient performance time of the forklift. This means the reach truck can maintain its "just charged" performance longer.



AC Power Control Provides Three Types of Regenerative Systems

The 7FBR has three types of regenerative systems for collecting the power during braking and reusing it to extend operating time.

When accelerator lever is off

Regenerative braking occurs when the accelerator lever is moved to the neutral position while the reach truck is traveling.

During switch back

Regenerative braking occurs during switchback operations.

During braking

Regenerative braking occurs when the brake pedal is released (brake engaged) during travel.

More Features

Low-Height Floor

A new suspension design has helped to provide a low floor height. Operators who must get on and off of the reach truck often will appreciate this low floor height.



Small-Diameter Steering Wheel

The steering system uses an integrated Electronic Power Steering (EPS) system to provide maximum steering ease from minimum effort. The small diameter steering wheel enhances maneuverability.



Multifunction Lever (OPT)

One lever controls travel, load-handling, horn and side-shift operations (when optional side-shift fork is mounted). This makes operation easier and helps to reduce operator fatigue.



Waist Support

The waist support has a built-in assist grip. The waist support helps to hold the operator in place while traveling, especially during turning, while the assist grip makes entry and exit easier.



Easy-Down System (V, SV Masts)

Empty forks being lowered are slowed just before they contact the ground. This helps reduce impact and the noise it causes.





Traction & **B**rake **C**ontrol provides

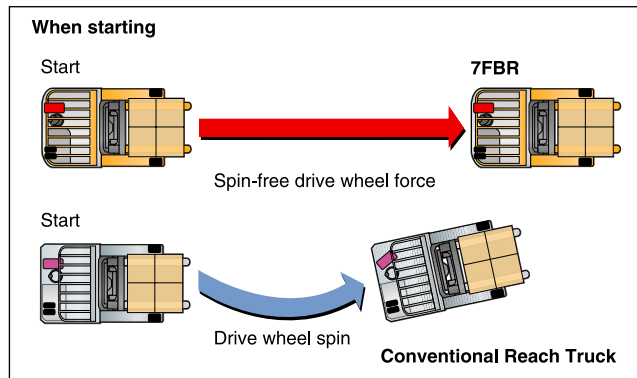
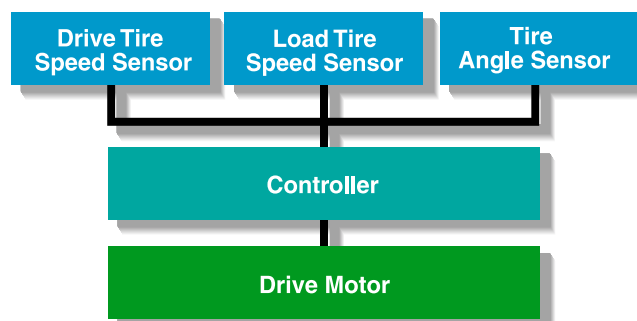
Dramatically Enhanced Maneuverability

Toyota has designed the 7FBR to perform at its best in tight areas or on wet traveling surfaces. Its innovative Traction & Brake Control gives the operator a totally high level of precise handling control.

WORLD LEADER

Traction Control

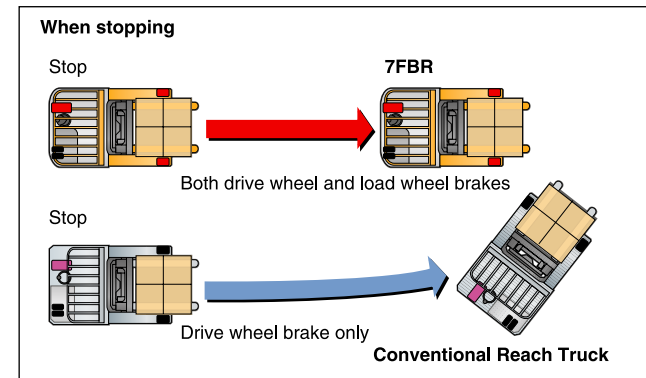
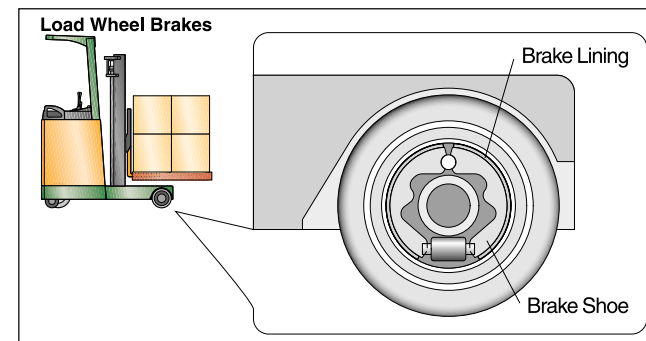
This system helps to eliminate drive wheel spinning when starting. The controller automatically adjusts the amount of power to the drive wheel to match the load and the conditions of the floor. This provides smooth, spin-free starts on almost any surface. And, less wheel spin means less tire wear so tires will last longer.



WORLD LEADER

Front-Assist Brake System

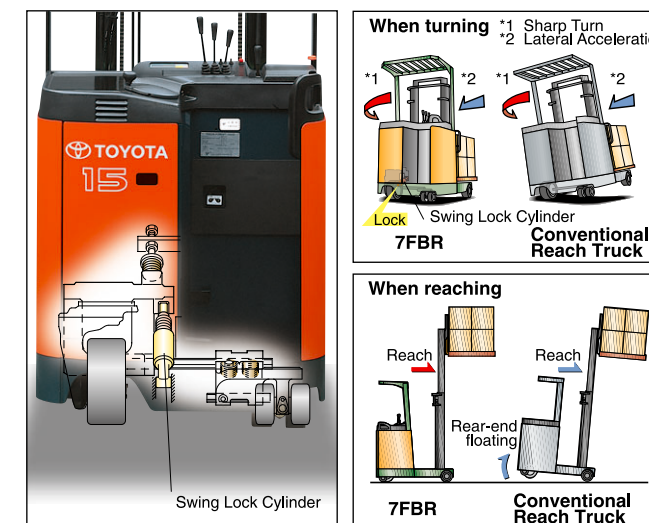
The 7FBR is equipped with computer-controlled load wheel brakes. These front-mounted brakes assist the main rear brake as needed to reduce stopping distance and rear-end swaying during braking. This new system provides high level of brake performance when carrying heavy loads and when on slippery surfaces.



WORLD LEADER

Stable Suspension Control

The 7FBR Series uses a system similar to the popular System of Active Stability (SAS) used on the 7FG/7FD and 7FB Series. It offers higher levels of stability when the reach truck is turning or when handling loads extended on its reach legs.



AC Power System

The compact-yet-powerful AC drive motor provides smooth starts without complicated accelerator operation. Since this motor has no brushes or contactors, it is virtually maintenance free.

